

1414R MD (4x2)

TAKES MORE LOAD, GIVES MORE PROFIT.

MADE FOR **MORE**



BHARATBENZ

Technical Specifications

1414R MD (4x2)

Dimensions (mm): All Dimensions are for CBC

Wheel Base	3760	4250	4800
Overall Length	7075	7585	8595
Overall Width	2220	2220	2220
Overall Height	2480	2480	2480
Minimum Ground Clearance	225	225	225
Load body length	5175 (17 ft.)	5785 (19 ft.)	6615 (22 ft.)

Weight

Gross Vehicle Weight (GVW)	14050 kg
----------------------------	----------

Engine

Model	4D34i
Maximum power	100 kW (140 hp) @ 2500 rpm
Maximum torque	420 Nm @ 1500 - 2000 rpm
No. of Cylinders, Displacement	4 Nos., 3907 cc
Emission Compliance	BSIV

Gearbox

Gearbox model & Type	G 85 - 6F+1R, Mechanical, Synchromesh gears
Clutch Type, Diameter	Single dry plate, Hydraulic control with clutch booster, 362 mm

Axle

Front Axle Model, Type	IF 5.0, Reverse Elliot
Rear Axle Model, Type	DANA - S145, Full floating, Hypoid gears
Differential Ratio	6.33 5.13 5.13

Chassis Frame & Suspension

Type	Ladder type channel section with cross member
Depth x Flange Width x Thickness	230 mm x 80 mm x 7 mm
Front Suspension	Semi-elliptic leaf spring with shock absorbers
Rear Suspension	Semi-elliptic laminated leaf spring
Anti-roll Bar	Optional (front & rear)

Brake & Tyres

Service Brake	Pneumatic, Foot operated, Dual line (with ABS)
Parking Brake	Pneumatically operated spring brake
Wheel Rim & Tyres	6.50 x 20, 8.25 R20 - 16 PR (Radial)

Steering & Cabin

Steering Type	Hydraulic Power assisted
Cabin	Day cabin, Tilttable

Fuel Tank & Electricals

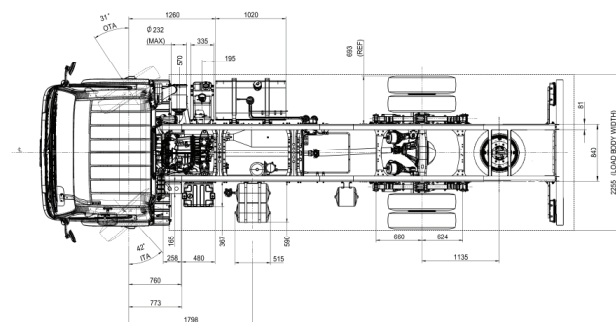
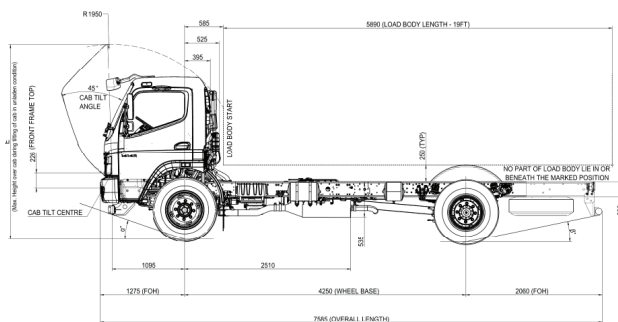
Fuel Tank	200 litres
Ad-Blue Tank	27 litres
Voltage	24 V Electrical System
Battery Capacity	2 x 12 V, 75 Ah

Performance

Maximum Gradeability	24.9%	19.8%	19.8%
Maximum Geared Speed			70 km/h
Minimum Turning Circle Diameter	14.8 m	16.7 m	18.7 m

Configuration

Standard	Cabin & Chassis
Load body option	Fixed side deck, High side deck & Drop side deck



Options and features shown may not be part of standard equipment. Colours may vary owing to printing. BharatBenz trucks conform to Bharat Stage IV norms. Manufacturer reserves right to change specifications without prior notice.

Daimler India Commercial Vehicles Pvt. Ltd.
Email: sales_dicv@daimler.com
Website: www.bharatbenz.com

Dealer Stamp